



ATD-7007

HEAVY DUTY WORK TABLE INSTRUCTION MANUAL

IMPORTANT SAFETY INSTRUCTIONS

1. Read all instructions before using this unit.
2. **Table Load Limit: 220LBS in the center; 50lbs at the corners.**
3. When lowering table position, hold table with one hand and slowly release pressure of locking device with other hand.
4. When positioning table over painted or valuable work areas, be sure that the table locking device is secure and table moves clear of objects located underneath.
5. When positioning table next to or over painted or valuable surface, be sure that surfaces have protective, non-scratch covers.
6. Do not extend table beyond extension warning line located near table upright pole.

Warning: Wear safety glasses.

ASSEMBLY INSTRUCTIONS

Tools Needed to assemble unit: 17mm Wrench & 14mm Wrench

1. Using four 14mm bolts, washer and nuts, install one caster in each square hole on the bottom edge of both right and left support (#9 & #12). Be sure the square bolster on the post of each caster inserts fully into the square hole in the support before fully tightening.
2. Using four 14mm bolts and washers, attach the right support (#9) to the bracket on the tube support (#7), ensuring that the casters are facing down. Be sure bolts are securely tightened before proceeding.
3. Slide left support tube (#12) into the tube support (#7) and secure with 17mm bolt and curved washer (#8). The curved washer should lay flat against the tubing.
4. Lay the top tray (#3) upside down on the floor and attach the mounting bracket on silver adjusting tube (#5) to the bracket on the bottom of the tray, be sure the groove in the adjusting tube faces AWAY from the center of the top tray.
5. Slide the silver adjusting tube with top tray attached into the support tube (#7) and secure at the desired height with the T-bolt (#6)

CAUTION:

Do not exceed the 220lbs (100kgs) rated capacity of this unit in center.

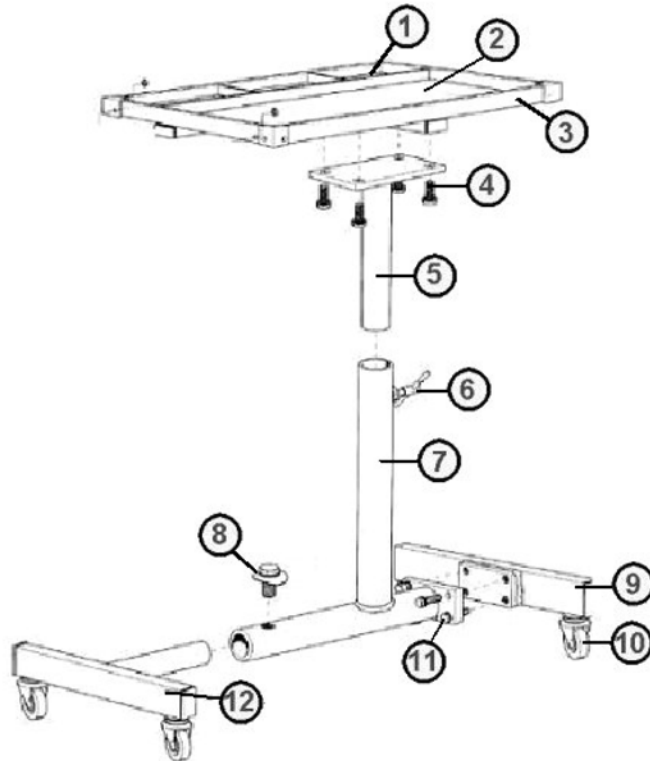
Do not exceed the 50lbs (22kgs) rated capacity of this unit on corners.

SPECIFICATION:

Model:	ATD-7007
Overall Dimensions:	28-7/8"X19-7/8"X1"
Main Tray Area:	28-1/2"X16-7/8"X1"
Small Compartments:	9-1/2"X2-3/4"X1"
Rated Capacity (Center):	220lbs (100kgs)
Rated Capacity (Corner):	50lbs (22kgs)
1.5MM Gauge Steel	
Lowered Height:	34"
Raised Height:	47-3/4"
Overall Length:	32-3/4"
Overall Width:	20-3/8"
Gross Weight:	45.2lbs(20.5kgs)



ATD-7007



ORDERING PART#	ITEM#	PART DESCRIPTION
PRT7007-01	01	SMALL RUBBER PAD
PRT7007-02	02	LARGE RUBBER PAD
PRT7007-03	03	TABLE TOP
PRT7007-H	04*	TABLE TOP MOUNTING BOLT
PRT7007-05	05	TABLE TOP MOUNTING FRAME (ZINC PLATED)
PRT7007-H	06*	TABLE TOP T-BOLT
PRT7007-07	07	BASE ASSEMBLY
PRT7007-H	08*	BASE FRAME BOLT AND CURVED WASHER
PRT7007-09	09	REAR WHEEL FRAME
PRT7007-10	10	2" CASTER
PRT7007-H	11*	BASE FRAME MOUNTING BOLTS
PRT7007-12	12	FRONT WHEEL FRAME

* - AVAILABLE IN HARDWARE KIT PRT7007-H